

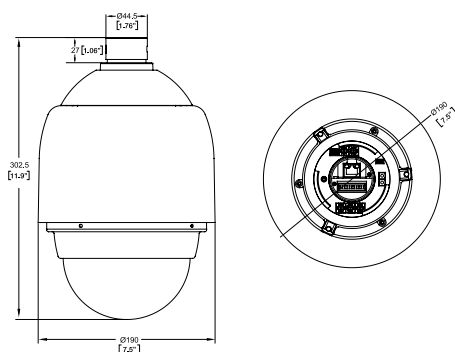
CAM-6610/CAM-6630

18x Zoom IP D/N Outdoor Speed Dome / 35x Zoom IP D/N Outdoor Speed Dome



- 1/4" Sony EXview HAD Interlaced Scan CCD (CAM-6610) / 1/4" Hitachi Progressive Scan CCD (CAM-6630)
- Day and night function with mechanical IR cut filter
- Minimum illumination 0.01 lux at F1.4
- 18x optical zoom (CAM-6610) / 35x optical zoom (CAM-6630)
- 25/30 fps at full D1 resolution
- MPEG-4 ASP compression
- Two-way audio
- Video motion detection
- Digital input and digital output
- Wide Dynamic Range (CAM-6630)
- Analog video output with 530 TVL (CAM-6610) / 540 TVL (CAM-6630)
- Weatherproof IP66 rated casing
- CAM-6610N / CAM-6630N (NTSC)
- CAM-6610P / CAM-6630P (PAL)

DIMENSION DIAGRAM



Unit: mm [inch]

ACCESSORY OPTIONS

| Dome Cover | | |
|------------|--|---|
| PDCX-1001 | | 5.8-inch, transparent, vandal proof |
| PDCX-0001 | | 5.8-inch, transparent, non-vandal proof |
| PDCX-0103 | | 5.8-inch, smoke, non-vandal proof |

| Popular Mounting Solutions | | |
|----------------------------|------------------------|--|
| Wall | PMAX-0307 | |
| Pendant | PMAX-0109 | |
| Corner | PMAX-0306 PMAX-0402 | |
| Pole | PMAX-0306 PMAX-0502 | |

* For more mounting solutions, please refer to Mounting Accessory section of Buyer's Guide or Project Planner on www.acti.com

CAM-6610/CAM-6630

PRODUCT SPECIFICATION

| | CAM-6610 | CAM-6630 |
|-----------------------------------|--|--|
| • Device | | |
| Device Type | Speed Dome Camera | |
| Image Sensor | Sony EXview HAD Interlaced Scan CCD | Hitachi Progressive Scan CCD |
| Sensor Size | 1/4" (3.2 x 2.4 mm) | |
| Horizontal Resolution | 530 TVL | 540 TVL |
| Day / Night | Yes | |
| Minimum Illumination | Color: 0.1 lux; B/W: 0.01 lux | |
| Color to B/W switch | DSP based switch, configurable | |
| Mechanical IR Cut Filter | Yes | |
| IR Sensitivity Range | 700 - 1100 nm | |
| IR LED | No | |
| Electronic Shutter | 1/1 - 1/10,000 sec (NTSC/PAL) | 1/1 - 1/30,000 sec (NTSC/PAL) |
| • Lens | | |
| Focal Length | Zoom, f4.1 - 73.8 mm / F1.4 - 3.0 | Zoom, f3.4 - 119 mm / F1.4 - 4.2 |
| Iris | Auto iris | |
| Focus | Auto focus | |
| Horizontal Viewing Angle | 48° - 2.8° | 55.8° - 1.7° |
| • PTZ | | |
| Zoom Ratio | 18x optical; 12x digital | 35x optical; 12x digital |
| Zoom Speed | 2.1 sec (1x to 18x) | 4.6 sec (1x to 35x) |
| Manual Panning Speed | 1° ~ 90° /s | |
| Manual Tilting Speed | 1° ~ 90° /s | |
| Preset Panning Speed | 5° ~ 400° /s | |
| Preset Tilting Speed | 5° ~ 400° /s | |
| Panning Range | 0° ~ 360° endless | |
| Tilting Range | -10° ~ 100° | |
| Control | Remote manual control; 256 preset points; 8 preset tours; auto scan | |
| Preset Panning Accuracy | 0.225° | |
| Preset Tilting Accuracy | 0.45° | |
| Absolute Position | Yes | |
| Protocol | DSCP, Pelco P, Pelco D, AD422, Philips, Kalatel, VCL, JVC, etc. | |
| • Video | | |
| Compression | MPEG-4 ASP | |
| Maximum Frame Rate vs. Resolution | 30 fps at 720 x 480 (Full D1, NTSC); 25 fps at 720 x 576 (Full D1, PAL); 30 fps at 352 x 240 (CIF, NTSC); 25 fps at 352 x 288 (CIF, PAL); 30 fps at 160 x 112 (QCIF, NTSC); 25 fps at 176 x 144 (QCIF, PAL) | |
| Multi-Streaming | Multiple streams based on single configuration | |
| Bit Rate | 28 Kbps - 3 Mbps (per stream) | |
| Bit Rate Mode | Constant, Variable | |
| S/N Ratio | More than 50 dB | |
| Image Enhancement | Backlight compensation; White balance: automatic, predefined and manual; Brightness; Saturation; Contrast; Automatic gain control; Auto exposure; Image stabilizer | Wide dynamic range; Backlight compensation; White balance: automatic, predefined and manual; Brightness; Saturation; Contrast; Automatic gain control; Auto exposure; Image stabilizer |
| Privacy Mask | 24 configurable regions | 8 configurable regions |
| Text Overlay | User defined text on video | |
| Image Orientation | Image flip and mirror | |
| • Audio | | |
| Compression | 8 kHz, Mono, PCM, 16 bit encoding | |
| Audio-In | 3.5 mm Phone Jack | |
| Audio-Out | 3.5 mm Phone Jack | |
| • Network | | |
| Protocol & Service | TCP, UDP, IP, HTTP, DHCP, PPPoE, RTP, RTSP, FTP, SMTP, DNS, DDNS, NTP, ICMP, IGMP, ARP, HTTPS, UPnP | |
| Ethernet Port | 2, Ethernet (10/100 Base-T), RJ-45 connector | |
| Failover | Yes | |
| Security | IP address filtering; HTTPS encryption; Password protected user levels | |
| • Alarm | | |
| Alarm Trigger | Video motion detection (3 regions); External device through digital input | |
| Alarm Response | Notify control center; Go to PTZ preset point or preset tour; Change camera settings; Command other devices; E-mail notification with snapshots; Upload video, snapshot to FTP server; Activate external device through digital output | |
| • Interface | | |
| Analog Video Output | 1, CVBS, 1.0Vp-p with 75 Ω BNC connector | |
| Digital Input | 8, terminal block | |
| Digital Output | 1, terminal block | |
| • General | | |
| Power Source / Consumption | AC 24V / 65 W (heater on) | |
| Weight | 5800 g (12.9 lb) | |
| Dimensions (Ø x H) | 172 mm x 302.5 mm (6.7" x 11.9"); 190 mm x 302.5 mm (7.5" x 11.9") with sunshield | |
| Environmental Casing | Weatherproof (IP66 rated); Transparent dome cover | |
| Mount Type | Pendant, Wall, Corner, Pole | |
| Operating Temperature | -45 °C ~ 50 °C (-49 °F ~ 122 °F) | |
| Operating Humidity | 10% ~ 85% RH | |
| Approvals | Camera: CE, FCC, IP66; Adapter: CE, TUV-GS, UL, RCM, CCC | |
| • Integration | | |
| Unified Solution | Fully compatible with ACTi software | |
| ISV Integration | Software Development Kit (SDK) available | |
| Firmware Access Browser | Microsoft Internet Explorer 6.0 or newer | |